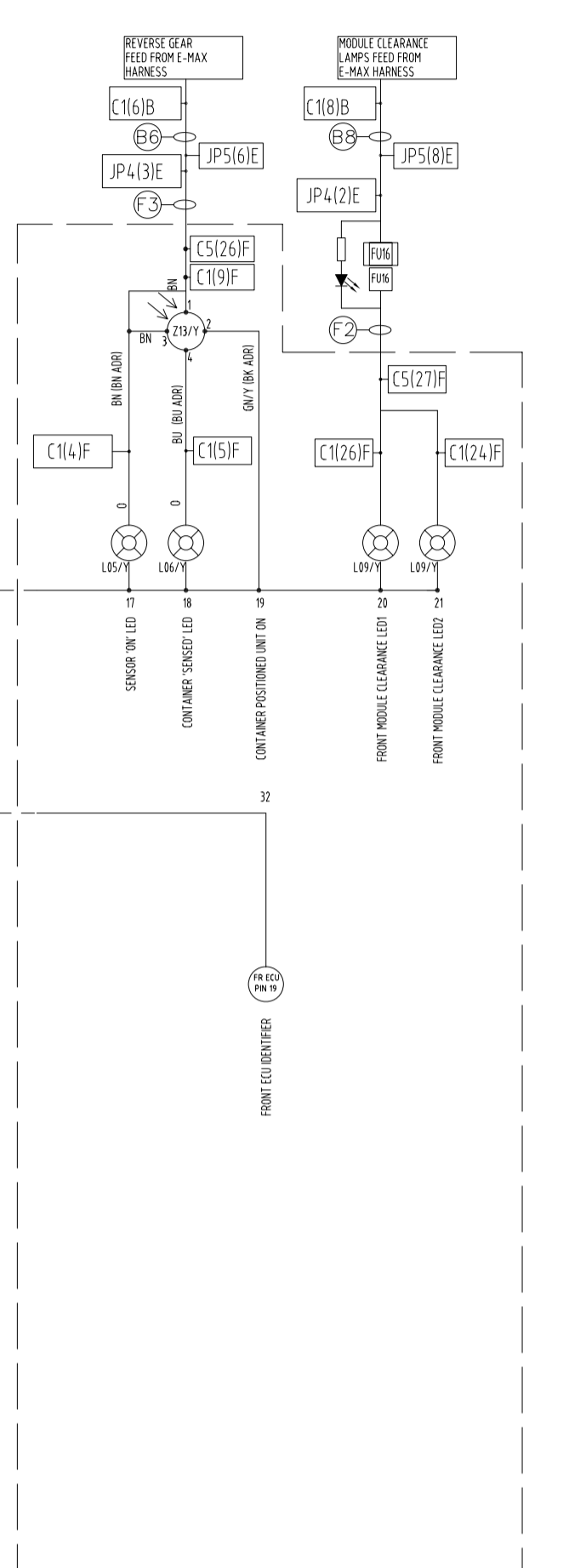
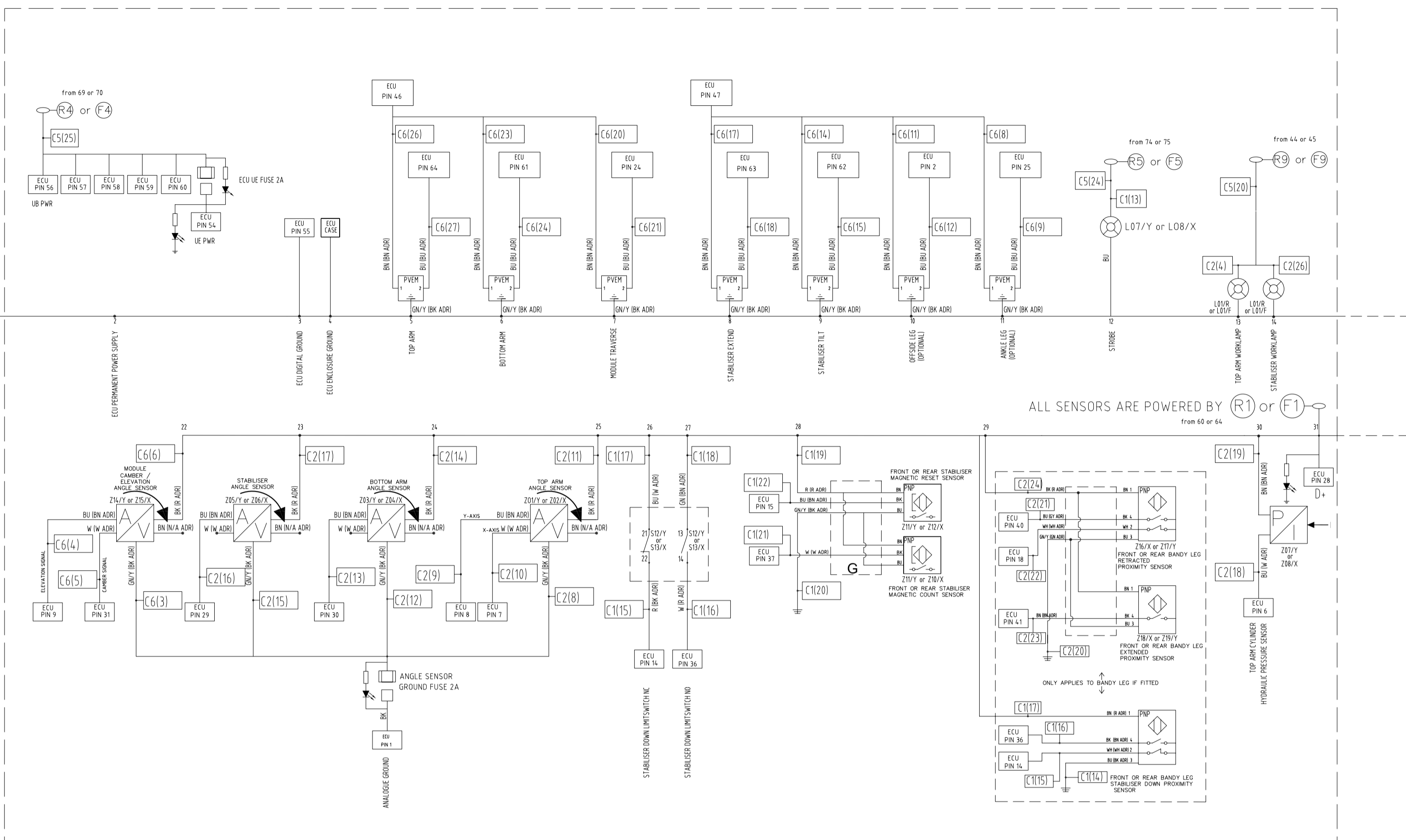
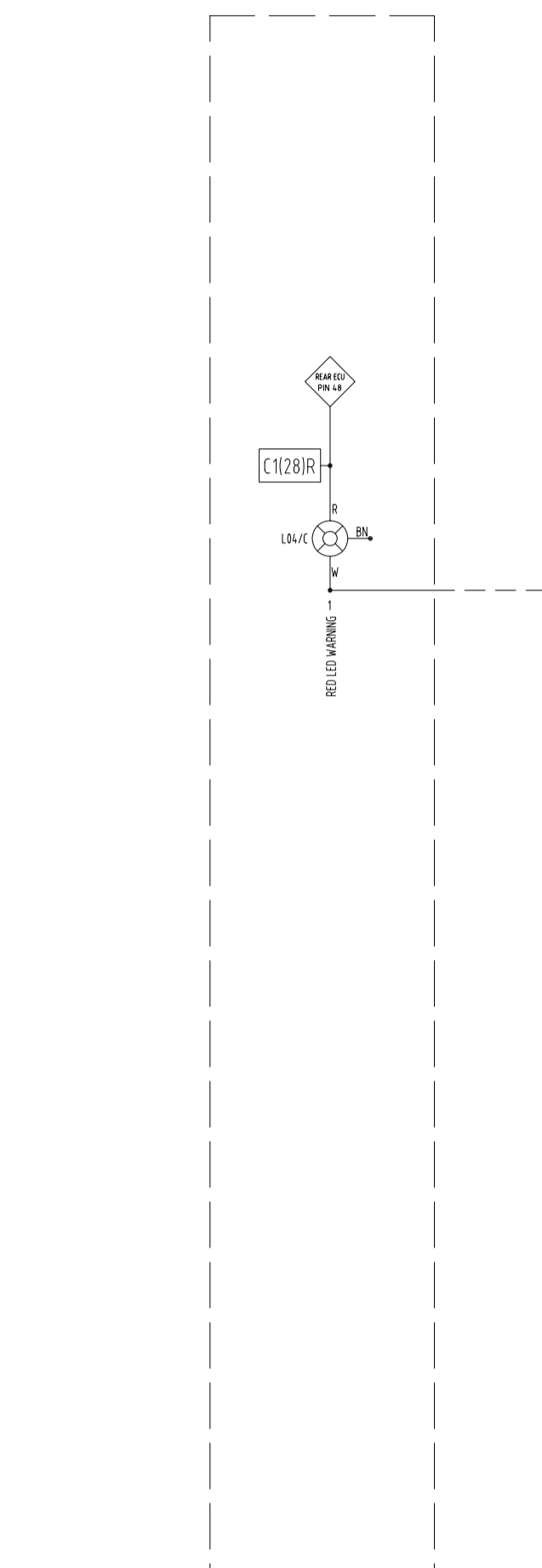


ENCLOSURE 'E' ENGINE ECU PLUG

| PIN NO. | BLOCK | WIRE | FUNCTION |
|---------|---------|----------|---------------------------|
| ECU 1 | JP8(1) | 0.5 Y | CAN-H |
| ECU 2 | JP8(2) | 0.5 GN | CAN-L |
| ECU 3 | JP8(3) | 0.5 R/W | +UE |
| ECU 4 | JP8(4) | - | NOT CONNECTED |
| ECU 5 | JP8(5) | 0.5 BK/W | THROTTLE |
| ECU 6 | JP8(6) | 0.5 BU/Y | ENGINE STARTER MOTOR |
| ECU 7 | JP8(7) | 0.5 Y/R | LS SHUTOFF & HIGH/LOW SP. |
| ECU 8 | JP8(8) | 0.5 BN/R | LS DUMP |
| ECU 9 | JP8(9) | 0.5 W/BM | ENGINE SHUTDOWN |
| ECU 10 | JP8(10) | 0.5 GN/W | HUB |
| ECU 11 | JP8(11) | 0.85 BK | GROUND |
| ECU 12 | JP8(12) | - | NOT CONNECTED |
| ECU 13 | JP8(13) | 1.5 W/BM | ENGINE SHUTDOWN |
| ECU 14 | JP8(14) | 0.5 BK/Y | HORN |
| ECU 15 | JP8(15) | 0.5 PU | NIGHT LIGHTS |
| ECU 16 | JP8(16) | - | NOT CONNECTED |



CONNECTOR BLOCK CODE

BLOCK (NUMBER) / LOCATION
eg C12/E

COLOUR ABBREVIATION

RED R
WHITE W
PURPLE PU
YELLOW Y
BROWN BU
BLUE BU
BLACK BK
GREEN GN
PINK PK
ORANGE O

LAMPS

L01 - WORKLAMP
L02 - ENGINE GLOW PLUG LAMP (AMBER)
L03 - E-STOP CIRCUIT LAMP (GREEN)
L04 - SMARTLIFT WARNING LED RED
L05 - CONTAINER POSITION SENSOR-ON LAMP
L06 - CONTAINER POSITION LAMP
L07 - FRONT BEACON STROBE (OPTIONAL)
L08 - REAR BEACON STROBE (OPTIONAL)
L09 - CLEARANCE LAMP (CRANE)

SENSORS

Z01 - FRONT TOP ARM ANGLE SENSOR
Z02 - REAR TOP ARM ANGLE SENSOR
Z03 - FRONT BOTTOM ARM ANGLE SENSOR
Z04 - REAR BOTTOM ARM ANGLE SENSOR
Z05 - FRONT STABILISER ANGLE SENSOR
Z06 - REAR STABILISER ANGLE SENSOR
Z07 - FRONT TOP ARM CYLINDER PRESSURE SENSOR
Z08 - REAR TOP ARM CYLINDER PRESSURE SENSOR
Z09 - FRONT OPTICAL SENSOR (STABILISER EXTENSION)
Z10 - REAR OPTICAL SENSOR (STABILISER EXTENSION)
Z11 - FRONT MAGNETIC SENSOR (STABILISER EXTENSION)
Z12 - REAR MAGNETIC SENSOR (STABILISER EXTENSION)
Z13 - FRONT OPTICAL CONTAINER DETECTION SENSOR
Z14 - FRONT MODULE CAMBER / ELEVATION ANGLE SENSOR
Z15 - REAR MODULE CAMBER / ELEVATION ANGLE SENSOR
Z16 - REAR BANDY LEG RETRACTED PROXIMITY SENSOR
Z17 - FRONT BANDY LEG RETRACTED PROXIMITY SENSOR
Z18 - FRONT BANDY LEG EXTENDED PROXIMITY SENSOR
Z19 - REAR BANDY LEG EXTENDED PROXIMITY SENSOR

SWITCHES

S01 - CHASSIS, FRONT E-STOP BUTTON
S02 - START KEY ENCLOSURE E-STOP BUTTON
S03 - PENDANT E-STOP BUTTON
S04 - VOLT METER TOGGLE SWITCH
S05 - ENGINE OIL PRESSURE SWITCH
S06 - ENGINE WATER TEMPERATURE SWITCH
S07 - WORKLAMP BUTTON
S08 - ENGINE START BUTTON
S09 - HI / LOW SWITCH
S10 - MODE SELECT SWITCH
S11 - E-STOP CIRCUIT BYPASS PUSHBUTTON SWITCH
S12 - FRONT STABILISER DOWN LIMIT SWITCH
S13 - REAR STABILISER DOWN LIMIT SWITCH
S14 - TRAILER PARK BRAKE SENSOR

KEY SWITCH

K30 - PERMANENT BATTERY SUPPLY
K58 - Not connected
K15/54 - IGNITION / ENGINE ON
K19 - GLOW PLUGS
K17 - GLOW PLUGS
K50a - STARTER MOTOR

FUSES (KEY SWITCH JUNCTION BOX)

LOCATION E
FU1 - 10A WORKLAMP, FAR CHASSIS
FU02 - 10A WORKLAMP, NEAR CHASSIS
FU03 - 7.5A HORN
FU04 - 5A LOAD SENSE SHUTOFF SOLENOID
FU05 - 5A HIGH / LOW SPEED SOLENOID
FU06 - 4A LOAD SENSE DUMP
FU07 - 5A ENGINE RUN/STOP
FU08 - 3A ALTERNATOR REGULATOR
FU09 - 4A FRONT CRANE ECU D+ AND SENSOR POWER
FU10 - 10A STROBE
FU11 - 10A WORKLAMP, FRONT CRANE
FU12 - 3A REAR VOLTMETER, MAIN BATTERY
FU13 - 4A DISPLAY POWER
FU14 - 3A REVERSE GEAR (PTO ONLY)
FU15 - 4A REAR CRANE ECU D+ AND SENSOR POWER
FU16 - 7.5A MODULE MARKER LAMPS
FU17 - 10A WORKLAMP, REAR CRANE
FU18 - 5A RADIO RECEIVER POWER
FU19 - 3A E-STOP CIRCUIT FUSE
FU20 - 4A THROTTLE
FU21 - 7.5A ENGINE ECU UB
FU22 - 3A MAIN BATTERY REVERSE POLARITY
FU23 - 10A ECU, FRONT UE & US POWER
FU24 - 3A REAR VOLTMETER, ECU BATTERY
FU25 - 10A ECU, REAR UE & UB POWER

LOCATION C
FU - 2A REAR ECU UE PERMANENT POWER
FU - 2A REAR ECU ANALOGUE GROUNDS

LOCATION D
FU - 2A FRONT ECU UE PERMANENT POWER
FU - 2A FRONT ECU ANALOGUE GROUNDS

LOCATION

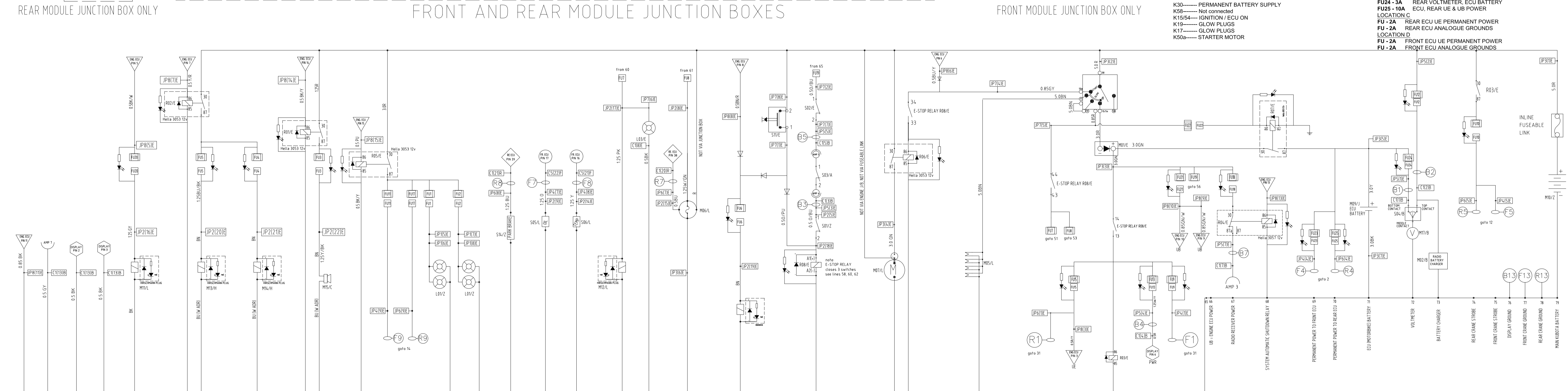
A = PENDANT REMOTE CONTROL
B = REAR DISPLAY ENCLOSURE
C = START KEY JUNCTION BOX
D = FRONT CRANE JUNCTION BOX
E = HIGH/LOW SPEED VALVE BLOCK
F = TRAILER PLUG JIB
G = STABILISER EXTENSION SENSOR JIB
H = HIGH/LOW SPEED VALVE BLOCK
I = TRAILER PLUG JIB
J = ENGINE FRAME ECU BATTERY BOX
L = ENGINE
M1-M6 = TOP LIFT FRAME JIB'S 1-6
P = RADIO RECEIVER ENCLOSURE
R = REAR CRANE JUNCTION BOX
U = TOP LIFT FRAME WARNING LIGHT JIB
W = TOP LIFT FRAME
X = REAR CRANE MODULE
Y = FRONT CRANE MODULE
Z = TRAILER CHASSIS

MISCELLANEOUS

M01 - 70A DIODE
M02 - RADIO REMOTE BATTERY CHARGER
M03 - KUBOTA ENGINE TEMPERATURE SENSOR
M04 - GLOW PLUG TIMER
M05 - KUBOTA ENGINE GLOW PLUG
M06 - KUBOTA ENGINE ALTERNATOR
M07 - KUBOTA ENGINE STARTER MOTOR
M08 - 120 OHM RESISTOR
M09 - MOTORCYCLE 12 VOLT BATTERY
M10 - KUBOTA ENGINE MAIN 12 VOLT BATTERY
M11 - KUBOTA ENGINE THROTTLE SOLENOID
M12 - KUBOTA ENGINE RUN/STOP SOLENOID
M13 - HIGH/LOW SPEED SOLENOID
M14 - LOADSENSE SHUTOFF SOLENOID
M15 - HORN
M16 - LOADSENSE DUMP SOLENOID
M17 - VOLTMETER

RELAYS

R01 - HORN
R02 - HIGH / LOW SPEED & LOAD SENSE SHUT-OFF RELAY
R03 - STROBE RELAY
R04 - ENGINE SHUTDOWN RELAY
R05 - WORKLAMP RELAY
R06 - STARTER MOTOR RELAY
R07 - ECU BATTERY ISOLATION RELAY
R08 - E-STOP RELAY (3 POLE)



| | | | | | |
|-----------|--|-------------------------------|----------|--------------------------------|---|
| Title | SB 361, 401 SMARTlift 3.0 PCB | Part | EL-37780 | Rev | B |
| Notes | Generic Wiring Diagram-all options shown | | Filename | P:\QUALITY\WIRING DIAGRAMS\... | |
| Machining | Size ±0.1 Surface N8 | Default Tolerances | Drawn | ri80 20/09/07 | |
| Profiling | Size ±2, Position ±2 | Steelbro New Zealand Ltd | Mass | kg | |
| Welding | Position ±3, Quality C | (C) STEELBRO New Zealand 2000 | | A1 | |